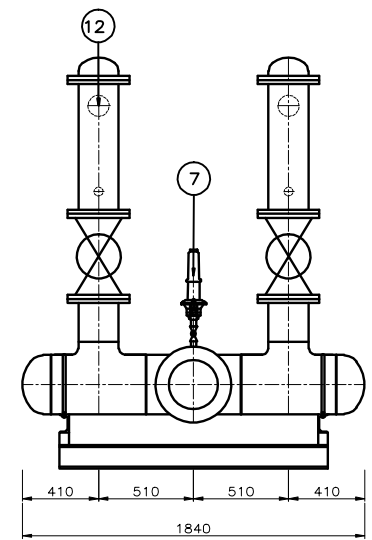
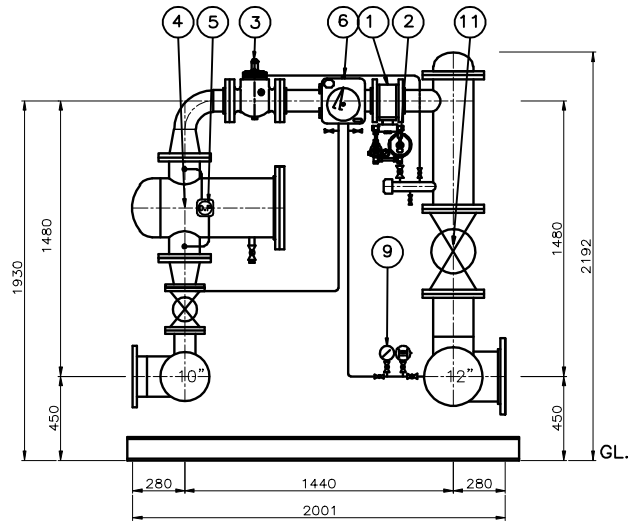
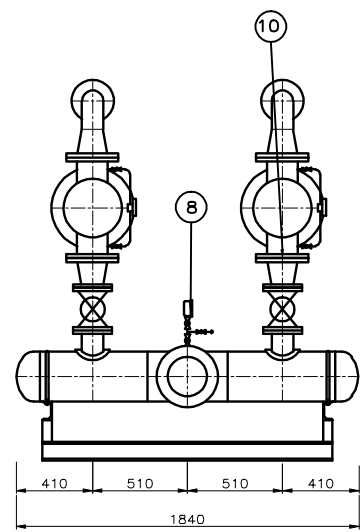


D

NO	DESCRIPTION	SIZE	Q'TY	REMARKS
1	A.F.V.(ANSI300#)	4"	2	A. M. C
2	HARNOREG PILOT	3/4"	2	I. G. A
3	S.S.V (S)	4"	2	JEAVONS
4	FILTER (G3.0, HFV, 1MPa)	6"	2	SE JONG
5	D.P GAGUE (0-70kPa)	1/4"	2	SE JONG
6	RECORDER (1-0.1MPa, 7D)	2PEN	1	SE JONG
7	J48KH RELIEF	1"	1	JEAVONS
8	PRESSURE GAUGE (0-1MPa)	ø100	1	WOO JIN
9	PRESSURE GAUGE (0-0.1MPa)	ø100	1	WOO JIN
10	BALL VALVE (1MPa)	4"	2	K. P. C
11	BALL VALVE (1MPa)	8"	2	K. P. C
12	TURBO FUSER	8"	2	SE JONG



DWG: K.S.K	PROJECT TITLE	<b>YESCO</b>			DATE	SCALE	P/SCALE	DWG NO.	
DES:	DATE	REVISION	DWG	DES	CHK	2005.01.20	1/15	A-2	KD0106178
CHK:	TITLE AFV-4SHM-N GOVERNOR STATION								
APPD:	<b>世宗에이원씨株式会社</b> SEJONG-AWC CORPORATION								