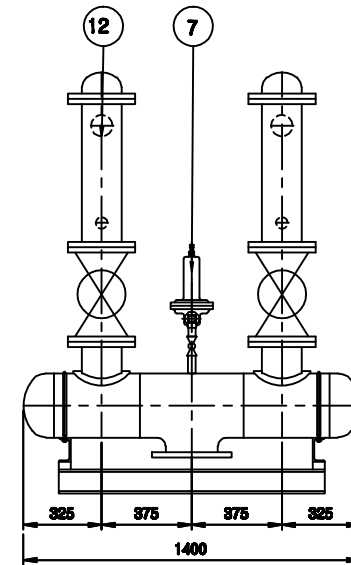
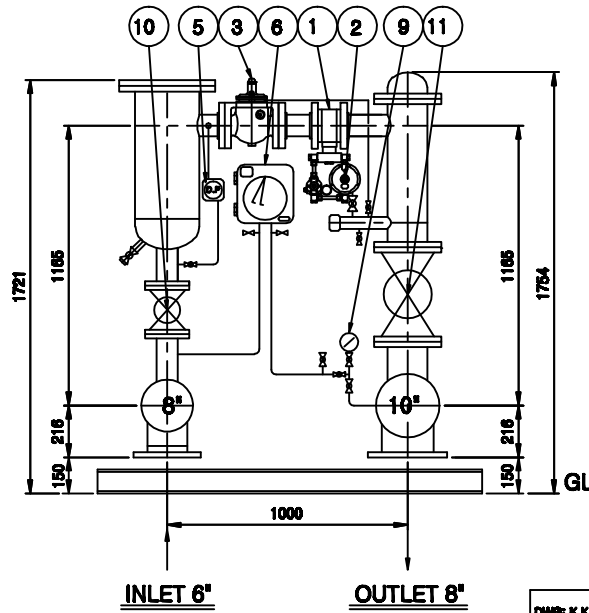
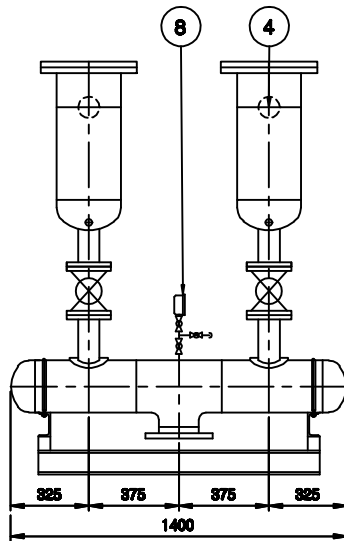


NO	DESCRIPTION	SIZE	Q'TY	REMARKS
1	A.F.V(AN8300#)	3"	2	A. M. C
2	HARNOREG PILOT	3/4"	2	I. G. A
3	S.S.V (S)	3"	2	JEAVONS
4	FILTER (G2.5, HOAS, 1MPa)	4"	2	SE JONG
5	D.P GAGUE (0-70kPa)	1/4"	2	SE JONG
6	RECORDER (1-0.1MPa, 7D)	2PEN	1	SE JONG
7	J48KH RELIEF	1"	1	JEAVONS
8	PRESSURE GAUGE (0-1MPa)	φ100	1	WOO JIN
9	PRESSURE GAUGE (0-0.1MPa)	φ100	1	WOO JIN
10	BALL VALVE (1MPa)	3"	2	K. P. C
11	BALL VALVE (1MPa)	6"	2	K. P. C
12	TURBO FUSER	6"	2	SE JONG



DWG: K.K.S	PROJECT TITLE	DATE	SCALE	P/SCALE	DWG NO.
DES:	DATE	REVISION	DWG	DES	CHK
CHK:					
APPD:					
		2002. 10. 14	1/10	A-2	KD0101087
TITLE APV-083M-N-03 GOVERNOR STATION					
世泰에이피씨 SETONE-AMC CORPORATION					